

W3

1/8" to  
1/4"  
balsa

1/16" Balsa  
Web - Grain  
Vertical

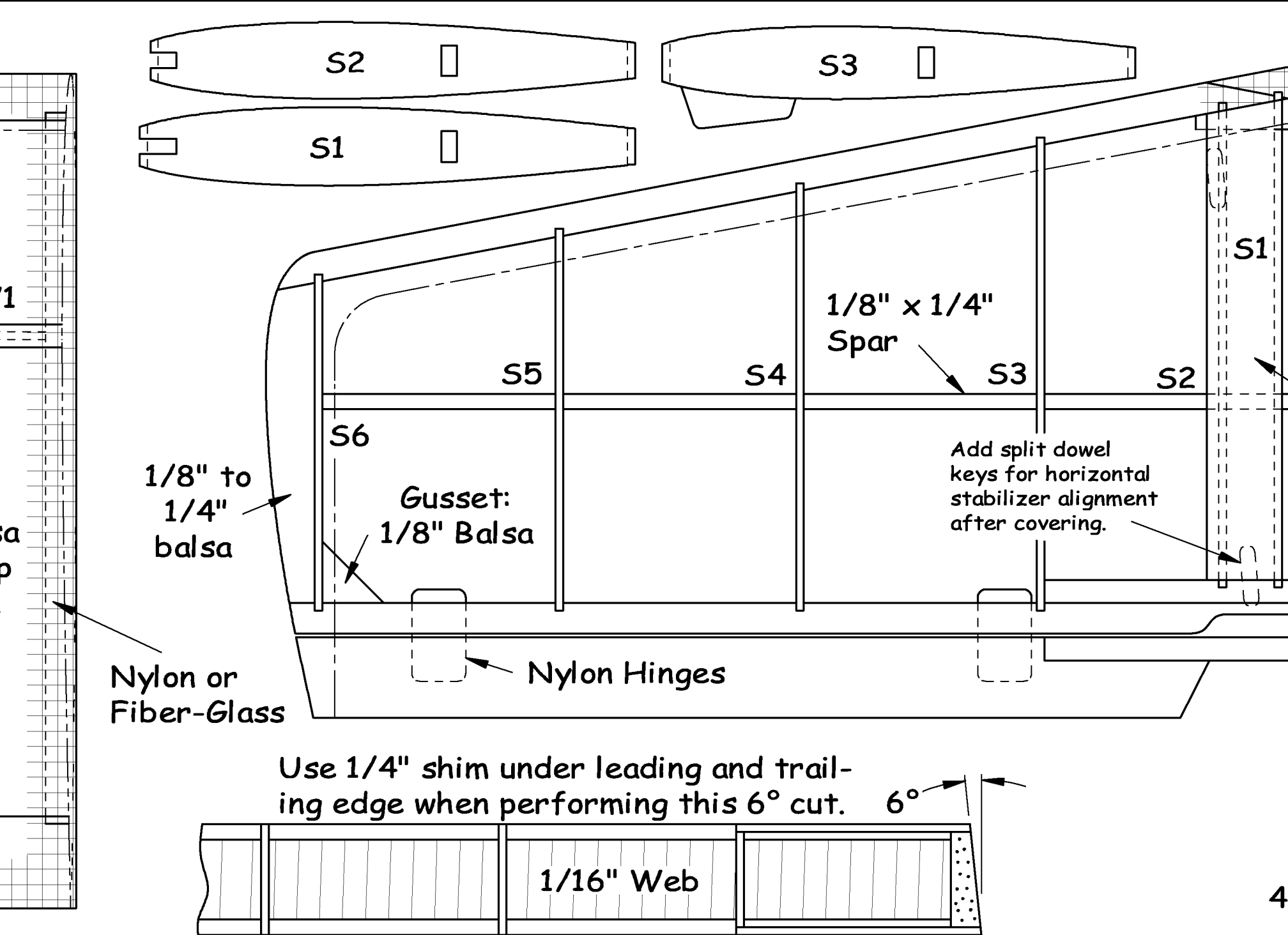
I - Beam  
Spar

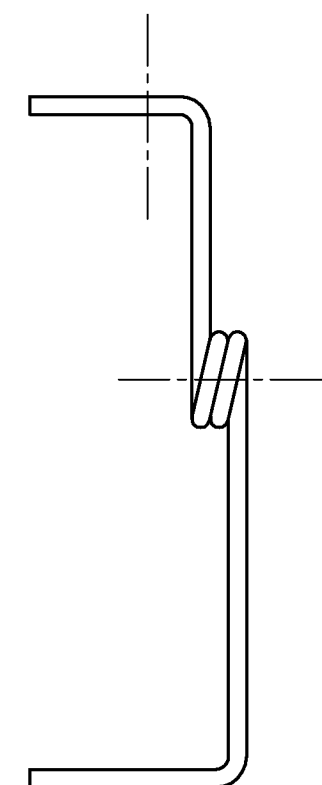
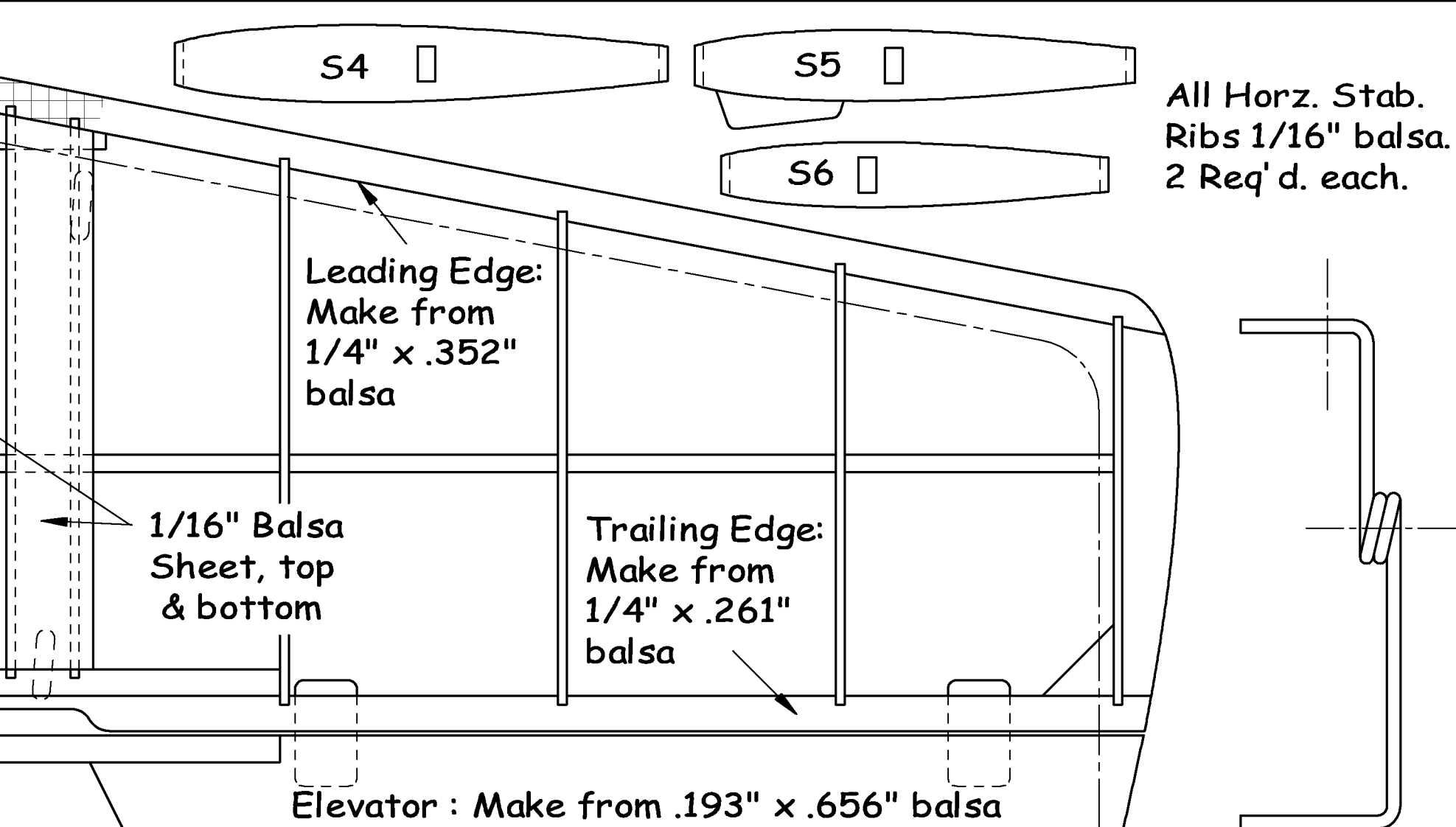
1/8  
Sp  
Ha  
Op

Gusset:  
1/8" Balsa

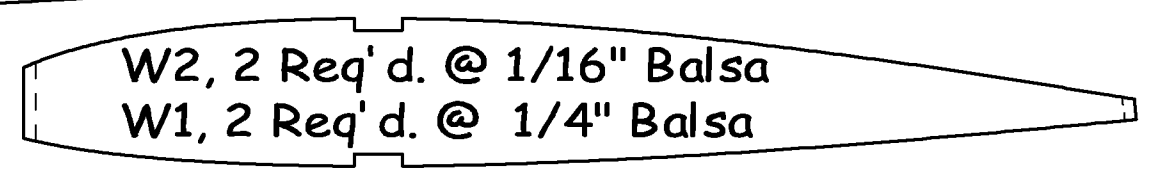
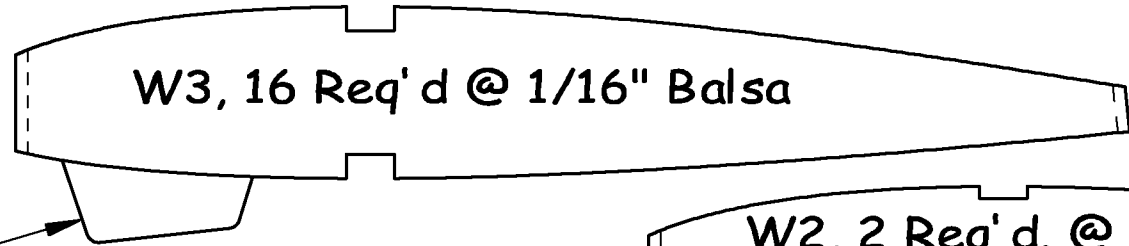
Scotch Tape on  
both sides when building







Nose Gear: 3/32" M.W.



Req'd

Cox Golden Bee

Fwd Top: 1/16" Balsa,  
Grain Length-wise

F1

1/4" Sq. Balsa  
Back-Up Strips

F2

Split

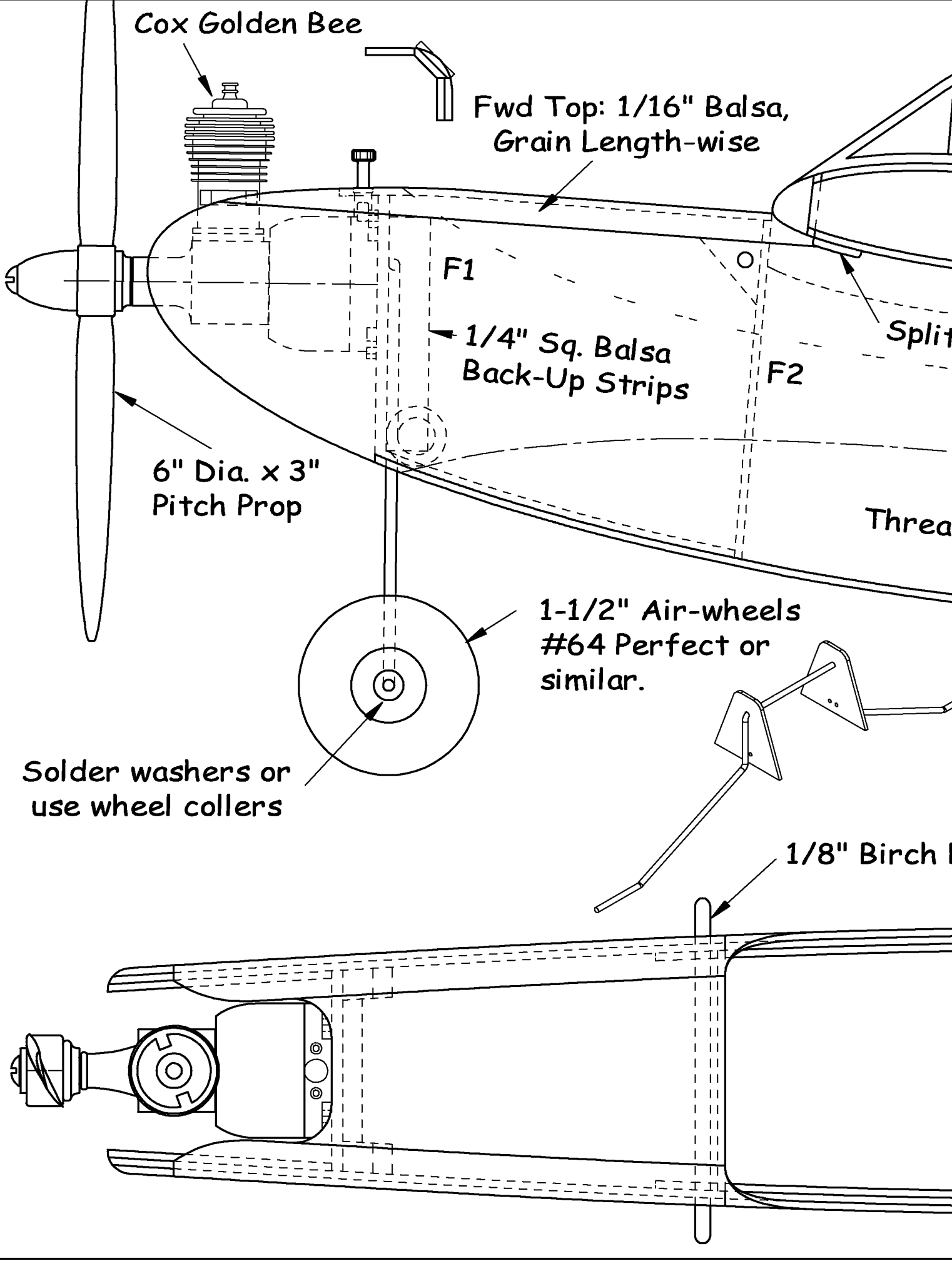
6" Dia. x 3"  
Pitch Prop

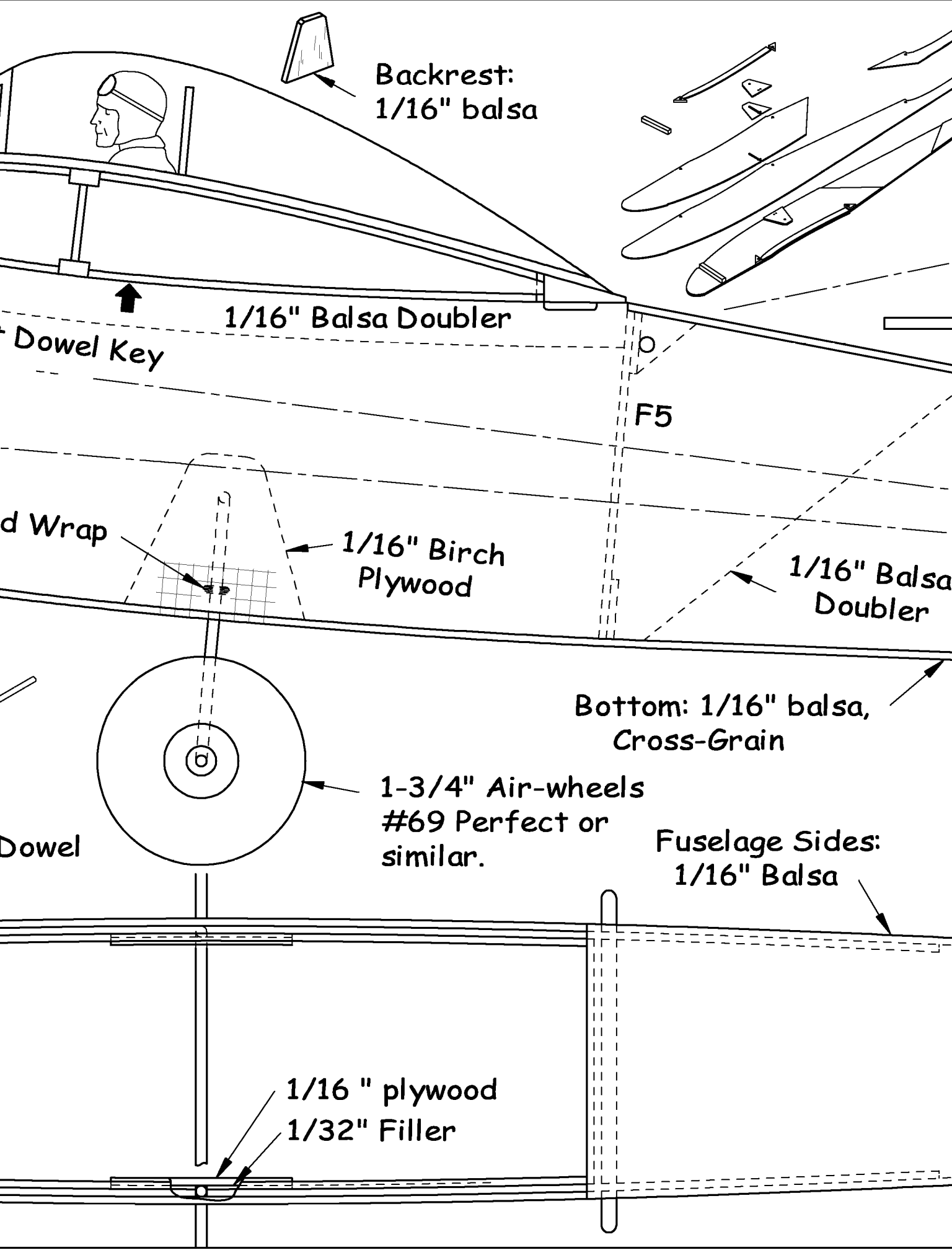
Threa

1-1/2" Air-wheels  
#64 Perfect or  
similar.

Solder washers or  
use wheel collers

1/8" Birch





Backrest:  
1/16" balsa

1/16" Balsa Doubler

Dowel Key

F5

d Wrap

1/16" Birch  
Plywood

1/16" Balsa  
Doubler

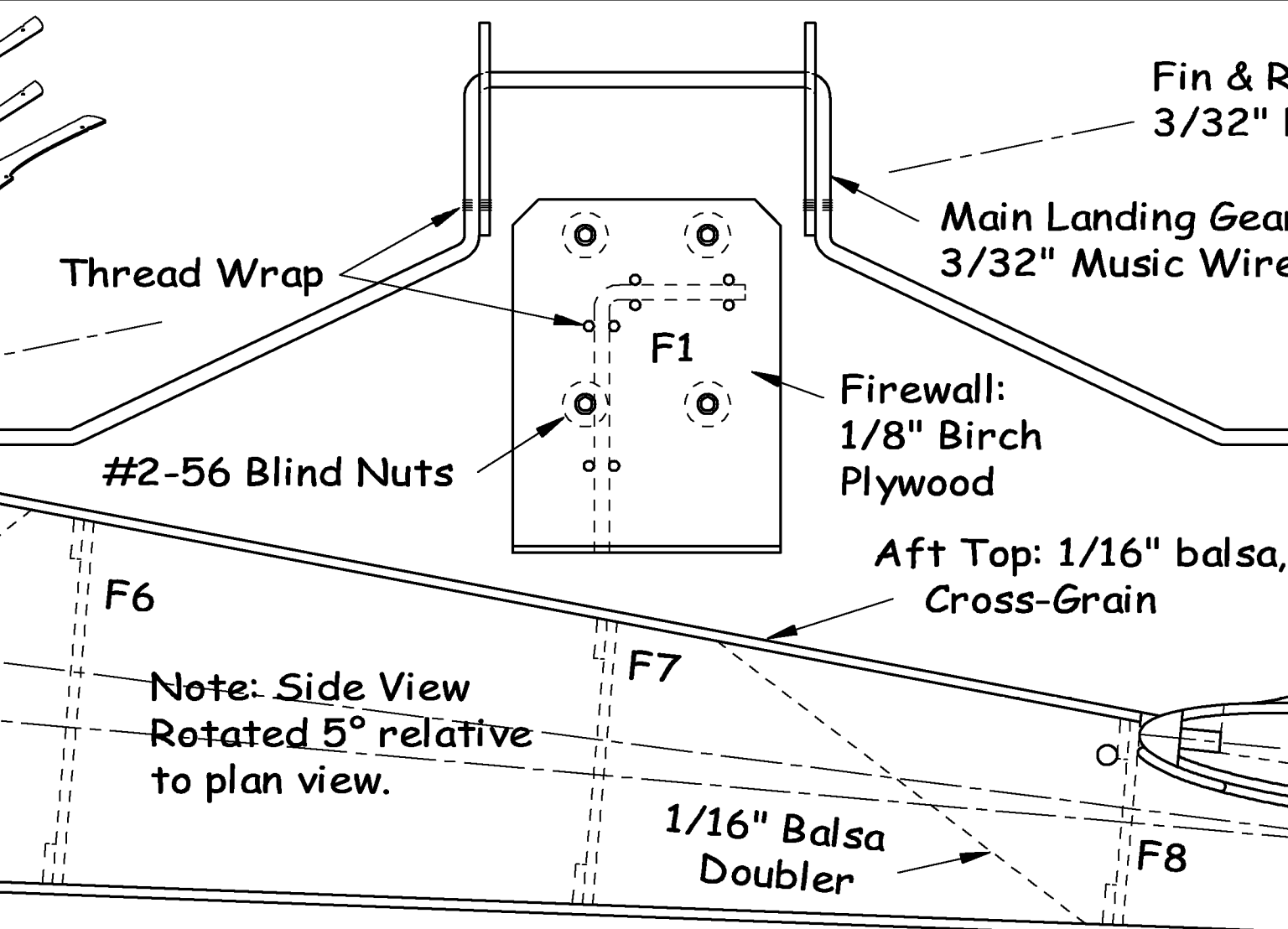
Bottom: 1/16" balsa,  
Cross-Grain

1-3/4" Air-wheels  
#69 Perfect or  
similar.

Fuselage Sides:  
1/16" Balsa

Dowel

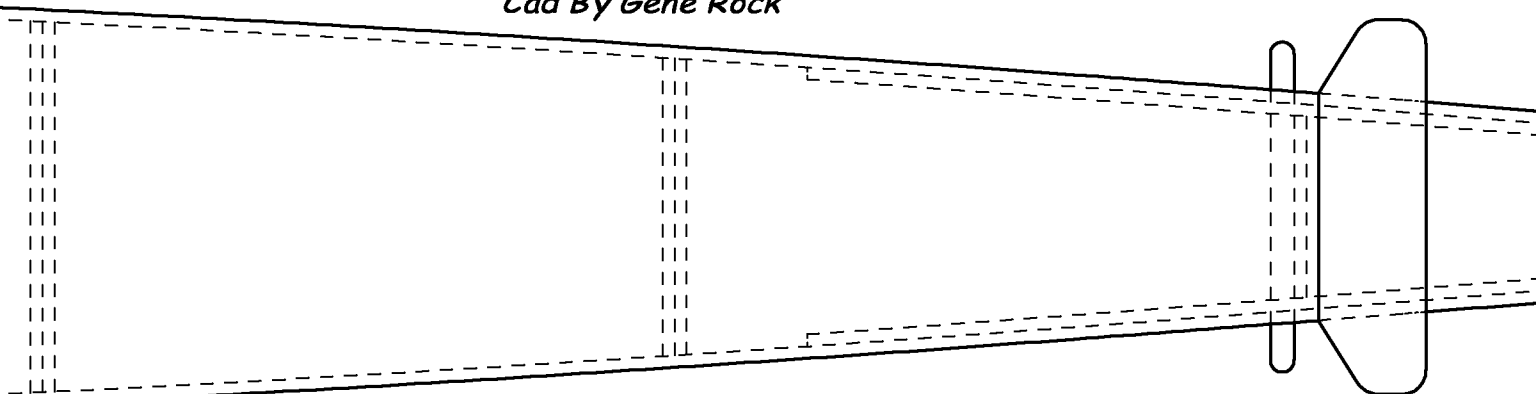
1/16" plywood  
1/32" Filler



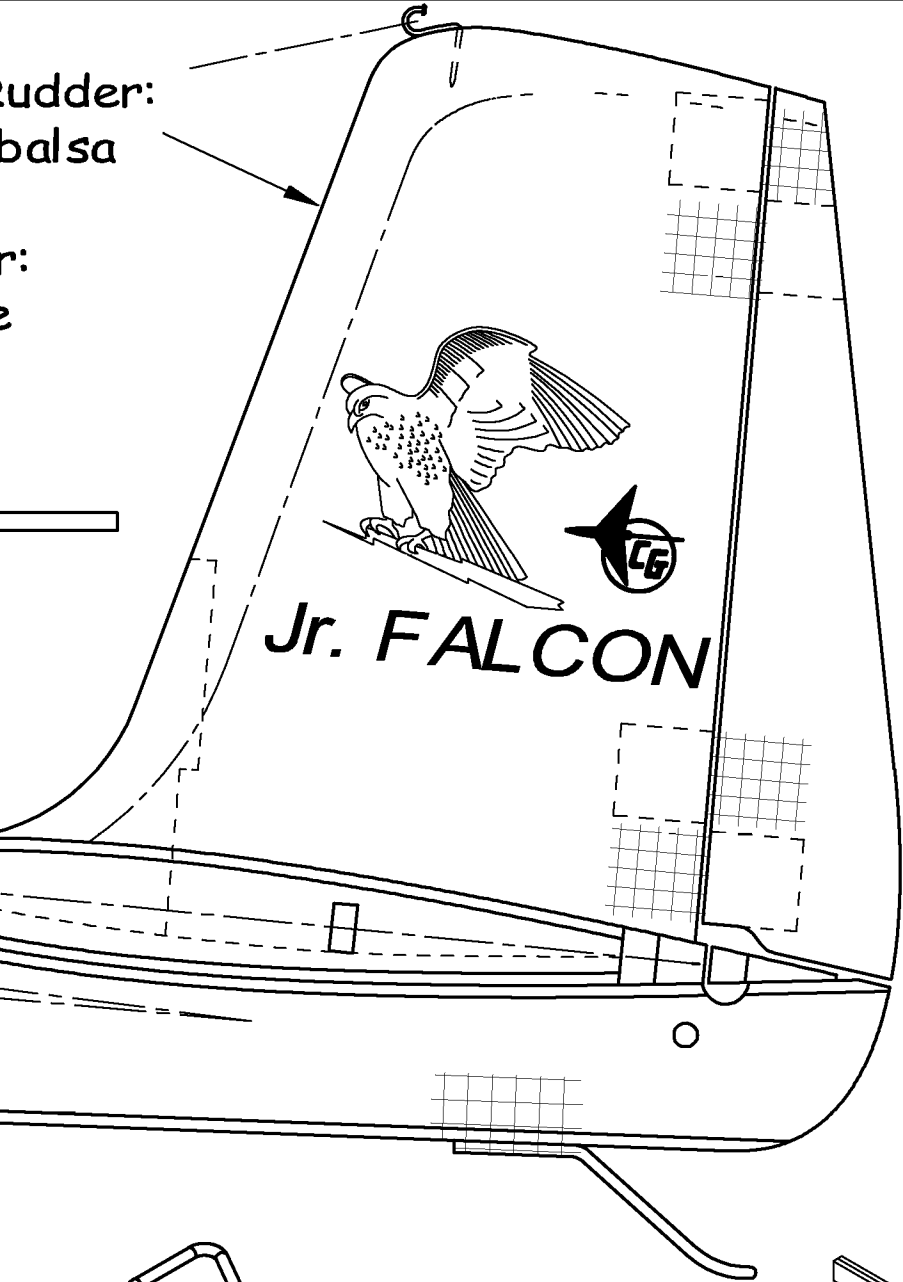
# JR. FALCON

*By Carl Goldberg*

*Cad By Gene Rock*



rudder:  
balsa



F2

Note: F2 thru  
F8 Bulkheads,  
1/16" balsa.

F5

F6

F7

F8

F6

F5

F7

F8

Tail Skid:  
1/16" M.W.

