



CAT

CHEMICAL AIRCRAFT TECHNOLOGY

HIAT-650



LIGHT AIRCRAFT
DESIGN
AND PRODUCTION

In business since 1997

«CHEMICAL AIRCRAFT TECHNOLOGY» was established in 1997, and is one of the manufacturers of light aircrafts. Our manufacture is certified according to the EASA (Part-21) and produce HIAT-650 aircraft. Very strict quality control processes and most modern technologies used to give birth to each aircraft.



HIAT-650

The single engine, two side-by-side seats, rectangular high-wing carbon composite, welded truss fuselage with composite cover, fixed landing gear aircraft.

HIAT-650 belongs to the category of Very light Aircrafts and is certificated according to certification specifications of EASA («CS-VLA»).



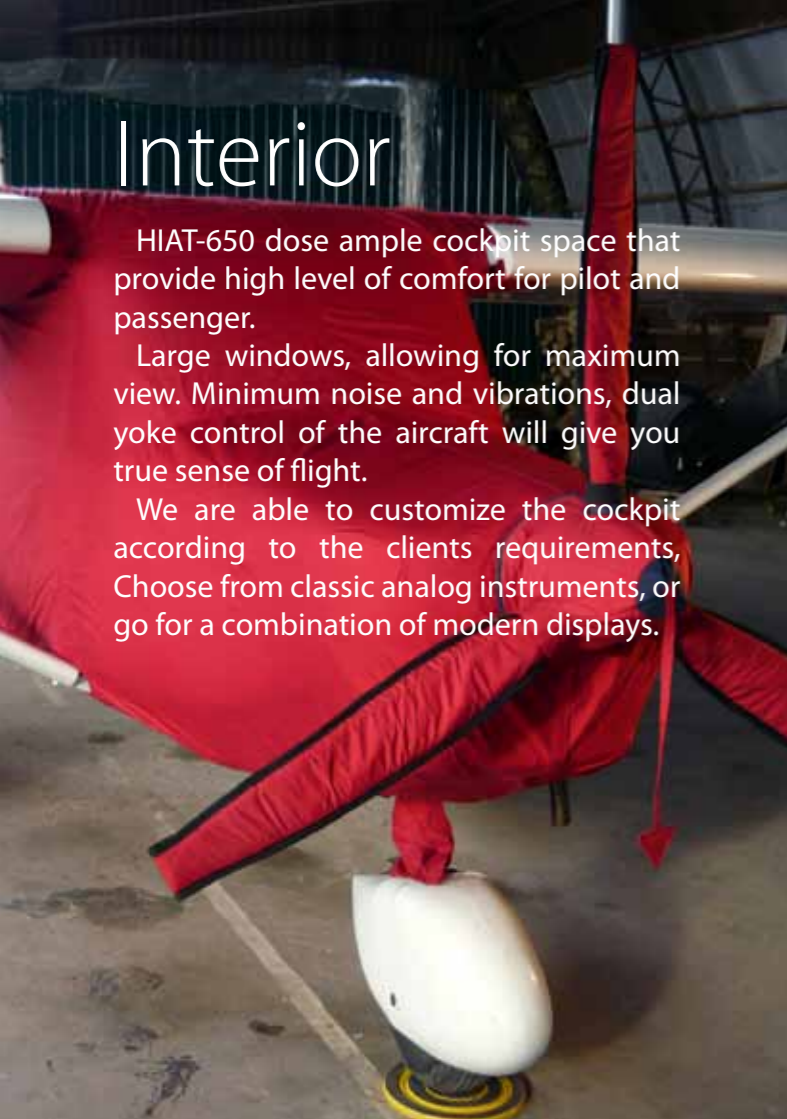
Available in versions:
(HIAT - 650B) - Basic
(HIAT - 650FT) - Flight training
(HIAT - 650AG) - Agriculture

Interior

HIAT-650 dose ample cockpit space that provide high level of comfort for pilot and passenger.

Large windows, allowing for maximum view. Minimum noise and vibrations, dual yoke control of the aircraft will give you true sense of flight.

We are able to customize the cockpit according to the clients requirements, Choose from classic analog instruments, or go for a combination of modern displays.



Engine

Engine is the heart of aircraft and that is why we use one of the world wide safety engines such as ROTAX and O-360, They have been tested with thousands of flight hours experience.

HIAT-650B equipped by ROTAX-914 (115HP), four-cylinder, four-stroke engine with liquid-cooled cylinder heads and air-cooled cylinders, with a turbocharger and a pressure relief valve.

HIAT-650FT and 650AG equipped by O-360 A1A (180HP), four-cylinder, four-stroke engine with air-cooled cylinders.



Propeller

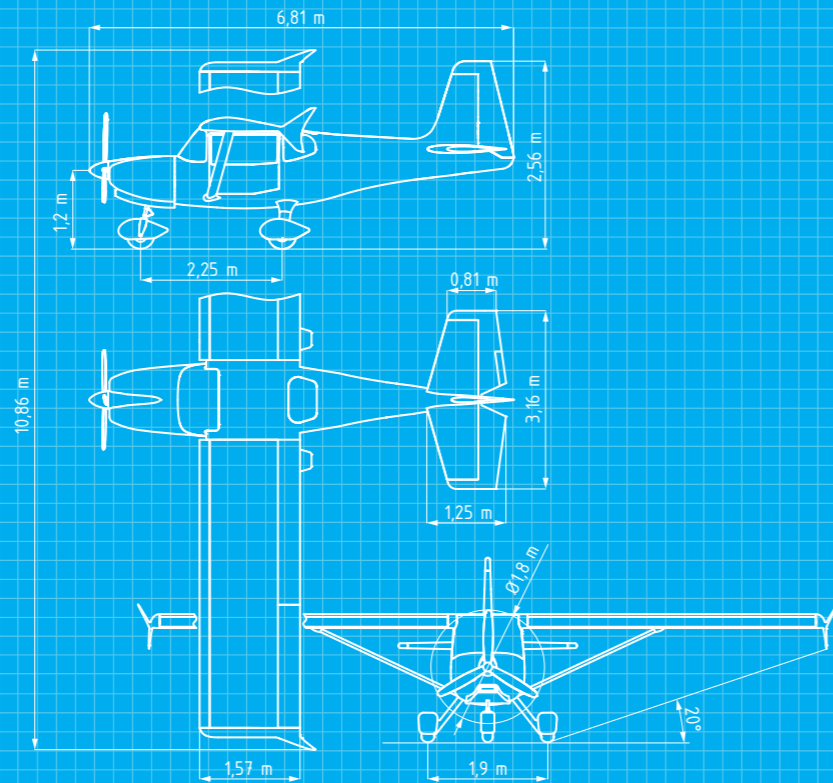
We install one of the most popular and safe composite propeller produced by MT-Propeller on our aircrafts. More than 16000 MT-Propeller systems flying worldwide.



HIAT-650B

TECHNICAL DATA

Engine	ROTAX 914UL
Power	115 hp
Fuel	A-95
Propeller	KIEVPROP 183/1800
Crew	1+1
Takeoff weight	750 kg
Empty weight	430 kg
Max speed	200 km/h
Cruise speed	160 km/h
Getaway speed	65 km/h
Stall speed	64 km/h
Rate of climb	5 m/s
Maximum altitude	3900 m
Runway length for takeoff	150 m
Runway length for landing	120 m
Fuel capacity	2x50 l
Fuel consumption	20 l/h
Maximum flight distance	800 km
Wingspan	10,86 m
Wing area	17,09 m ²
Lengths	6,81 m
Wheelbase	2,25 m
Wheel track	1,9 m



STANDARD EQUIPMENT

ROTAX 115hp engine, KIEVPROP electrically controlled 3-blade constant speed propeller.

Complete 12 volt electrical system, dual wing tip anti collision strobe lights, instrument and interior lights.

Avionics including: Altimeter, Attitude indicator, Airspeed indicator, Variometer, Manifold pressure.

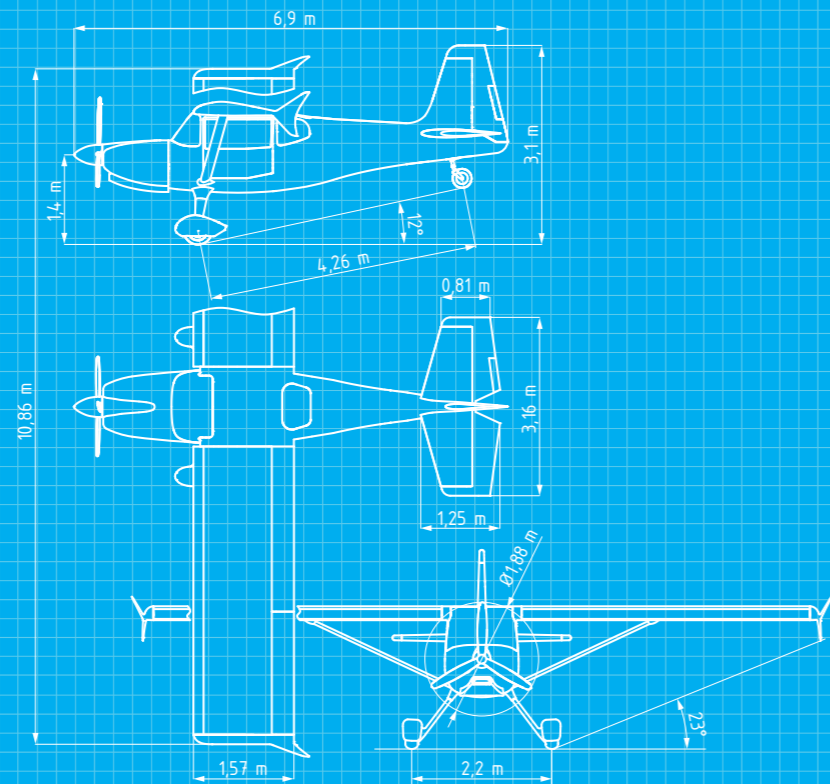
Engine controller FLYdat (digital tachometer, oil temperature, oil pressure, digital cht/egt), Magnetic compass, digital flap indicator, Radio Station IC -A200.



HIAT-650FT

TECHNICAL DATA

Engine	O-360 A1A
Power	180 hp
Fuel	AVGAS
Propeller	MTV-12B1188-59f
Crew	1+1
Takeoff weight	750 kg
Empty weight	470 kg
Max speed	270 km/h
Cruise speed	220 km/h
Getaway speed	65 km/h
Stall speed	70 km/h
Rate of climb	7 m/s
Maximum altitude	3900 m
Runway length for takeoff	100 m
Runway length for landing	75 m
Fuel capacity	2x75 l
Fuel consumption	35 l/h
Maximum flight distance	1100 km
Wingspan	10,86 m
Wing area	17,09 m ²
Lengths	6,9 m
Wheelbase	4,26 m
Wheel track	2,2 m



STANDARD EQUIPMENT

O360 A1A 180HP engine, MTV-12B hydraulically controlled 3-blade constant speed propeller.

Complete 24 volt electrical system, Full night lighting system including dual taxi and landing lights, dual wing tip anti collision strobe lights, instrument and interior lights.

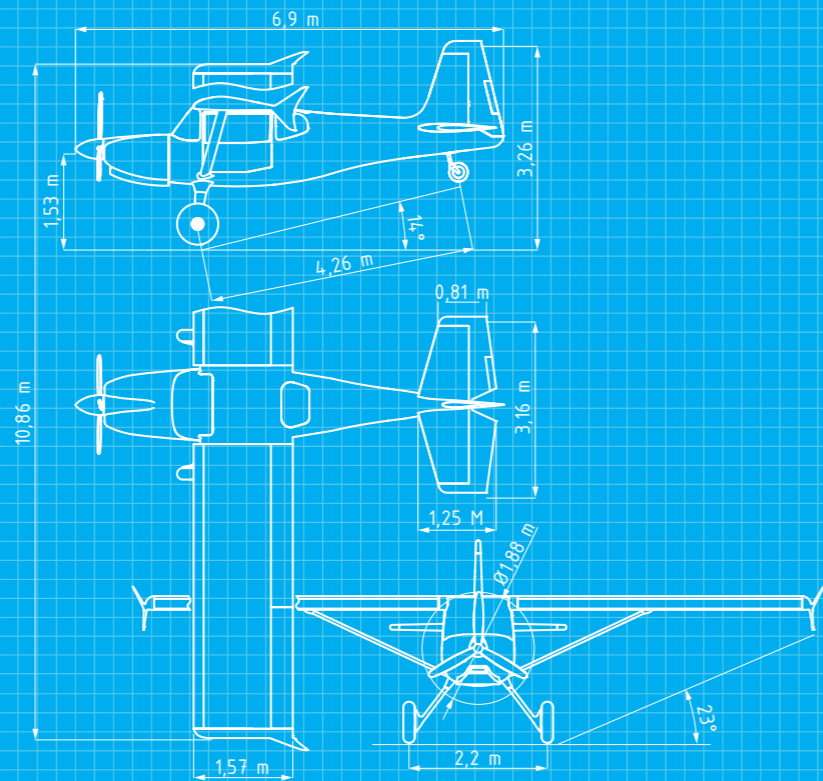
Avionics including: Altimeter, Airspeed indicator, Manifold pressure, Magnetic compass, Digital flap indicator, GARMIN G3X glass-panel with dual GDU370 PFD, GNS 430W, GPS/VOR/VHF system, Transceiver GARMIN SL-40, Transponder GTX 328, Audio panel GMA 340.



HIAT-650AG

TECHNICAL DATA

Engine	O-360 A1A
Power	180 hp
Fuel	AVGAS
Propeller	MTV-12B1188-59f
Crew	1
Takeoff weight	1000 kg
Empty weight	450 kg
Max speed	220 km/h
Cruise speed	180 km/h
Getaway speed	65 km/h
Stall speed	70 km/h
Rate of climb	5 m/s
Maximum altitude	3900 m
Runway length for takeoff	200 m
Runway length for landing	75 m
Fuel capacity	60 l
Fuel consumption	35 l/h
Maximum flight distance	400 km
Wingspan	10,86 m
Wing area	17,09 m ²
Lengths	6,9 m
Wheelbase	4,26 m
Wheel track	2,2 m



STANDARD EQUIPMEN

O360 A1A 180HP engine, MTV-12B hydraulically controlled 3-blade constant speed propeller.

Complete 12 volt electrical system, dual wing tip anti collision strobe lights, instrument and interior lights.

Avionics including: Altimeter, Airspeed indicator, Manifold pressure, Magnetic compass, Digital flap indicator (LCD panel).

Digital agriculture equipment indicator (TFT-LCD panel), GARMIN G3X glass-panel with GDU370 PFD, Transceiver GARMIN SL-40, Transponder GTX 328.



Our certificates



Approval certificate of aeronautical products design organisation



Production approval certificate



Type certificate



Maintenance organisation approval certificate



Continuing airworthiness management organisation approval certificate



Flight training organisation certificate

